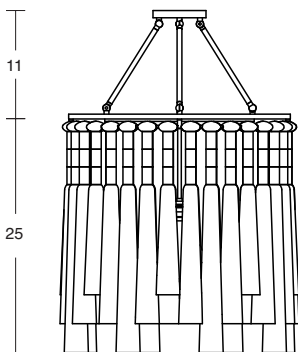
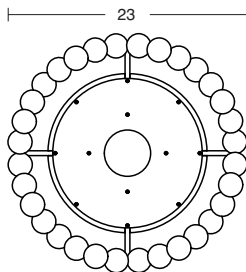


# DAWN CHANDELIER

## 23" CEILING LAMP



- 23" outer diameter.
- Wood disc available in solid walnut or quarter sawn white oak with distressed finish. Custom wood finishes available.
- Frame is solid brass and available in 3 different hand-applied patina finishes - golden brass, antique nickel or oiled bronze.
- 15" ceiling drop is standard, custom drops available - 12" to 76" at no charge, larger drops please enquire when ordering. Drops larger than 24" are available with a single chain, see separate line sheet.
- Tassels are linen and trimmed level to 24 3/4" length. FR 701 treatment available. Solution dyed acrylic available for outdoor or high traffic areas.
- Various tassel styles, custom length and color available.
- UL Listed for damp locations, single standard medium base bulb, 60w max. Custom wiring options available. 220V for EU installations.

### HIGHLIGHTS

- Brass construction
- Hand-patina finishes
- Custom diameters and tassels size available
- Multi layer large fixtures are available, please enquire

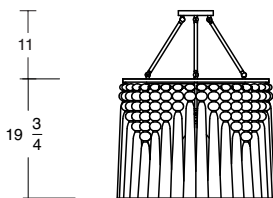
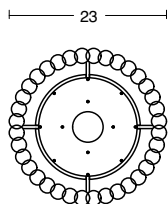
910.805.8410

[www.m2cstudio.com](http://www.m2cstudio.com)

# DAWN CHANDELIER

23" CEILING LAMP

SPUN PEARL TASSELS



- 23" outer diameter.
- Wood disc available in solid walnut or quarter sawn white oak with distressed finish. Custom wood finishes available.
- Frame is solid brass and available in 3 different hand-applied patina finishes - golden brass, antique nickel or oiled bronze.
- 15" ceiling drop is standard, custom drops available - 12" to 76" at no charge, larger drops please enquire when ordering. Drops larger than 24" are available with a single chain, see separate line sheet.
- Tassels are linen and trimmed level to 24 3/4" length. FR 701 treatment available. Solution dyed acrylic available for outdoor or high traffic areas.
- Various tassel styles, custom length and color available.
- UL Listed for damp locations, single standard medium base bulb, 60w max. Custom wiring options available. 220V for EU installations.

## HIGHLIGHTS

- Brass construction
- Hand-patina finishes
- Custom diameters and tassels size available
- Multi layer large fixtures are available, please enquire

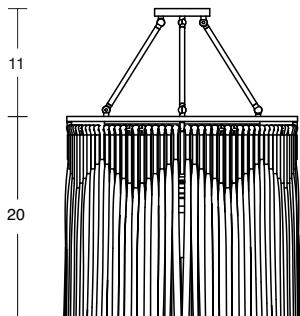
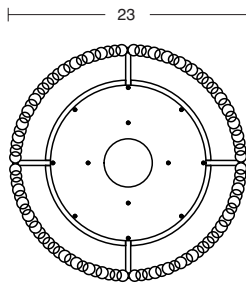
910.805.8410

[www.m2cstudio.com](http://www.m2cstudio.com)

# DAWN CHANDELIER

## 23" CEILING LAMP

## VEE TASSELS



- 23" outer diameter.
- Wood disc available in solid walnut or quarter sawn white oak with distressed finish. Custom wood finishes available.
- Frame is solid brass and available in 3 different hand-applied patina finishes - golden brass, antique nickel or oiled bronze.
- 15" ceiling drop is standard, custom drops available - 12" to 76" at no charge, larger drops please enquire when ordering. Drops larger than 24" are available with a single chain, see separate line sheet.
- Tassels are linen and trimmed level to 24 3/4" length. FR 701 treatment available. Solution dyed acrylic available for outdoor or high traffic areas.
- Various tassel styles, custom length and color available.
- UL Listed for damp locations, single standard medium base bulb, 60w max. Custom wiring options available. 220V for EU installations.

### HIGHLIGHTS

- Brass construction
- Hand-patina finishes
- Custom diameters and tassels size available
- Multi layer large fixtures are available, please enquire

910.805.8410

[www.m2cstudio.com](http://www.m2cstudio.com)